

! WARNING

To reduce the risk of drowning, entrapment, falls, paralysis, electrocution, or other serious injury or death:

Dealer/Installer: Give manual to homeowner.

Installer: Read "**Safe Installation**" on page # 2 and all instructions before beginning. For proper assembly and installation, instructions must be followed completely.

Homeowner: Read "**Safe Use**" on back cover before using. Save these instructions.
Installation must comply with local codes and may require permits.

MODEL #8100X OUTSIDE SAFETY LADDER

FOR USE WITH CONFER PLASTICS IN POOL STEPS
Adjusts to fit pools 48" to 54"

**Ladder must be attached to pool frame -
do not use with inflatable pools.**

WEIGHT LIMIT 300 LBS.

ASSEMBLY, INSTALLATION AND USE MANUAL

Assembly video available online: www.conferplastics.com



**Scan to
see our
Installation
Videos**



© Confer Plastics, Inc. 2023



Proudly Made in U.S.A. by

CONFER
plastics inc.

Model #8100X Outside Safety Ladder

Ladder must be attached to pool frame - DO NOT USE with inflatable pools

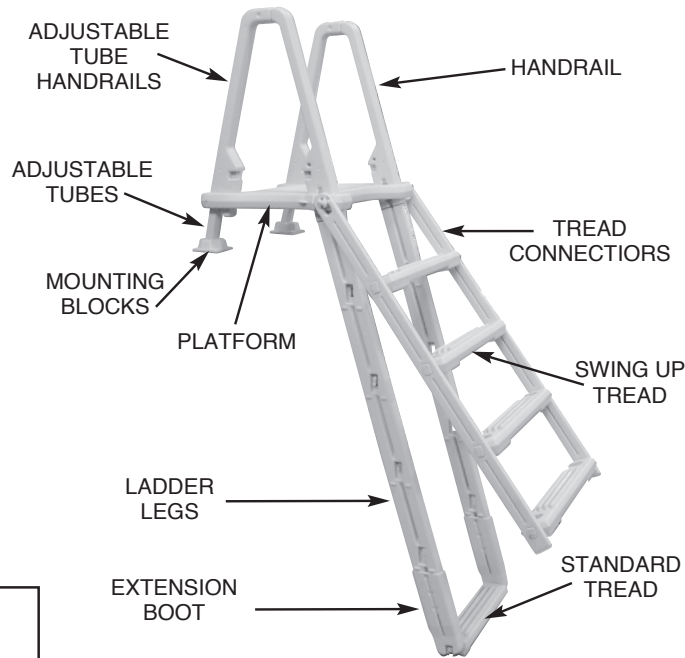
If missing parts call - Toll free U.S./Canada - 800-635-3213 or www.conferplastics.com

Parts List

- 2 - Ladder Legs
- 2 - Tread Connector
- 4 - Swing up Treads
- 1 - Standard Tread
- 2 - Extension Boots
- 1 - Platform
- 2 - Handrails
- 2 - Adjustable Tube Handrails

Hardware Pack

- 14 - #10 x 1-1/4" screws
- 2 - Plugs (wg)
- 2 - 1/4 - 20 x 2" Bolts
- 2 - 1/4 - 20 Acorn Nuts
- 2 - Adjustable Tubes
- 2 - Mounting Blocks
- 4 - 1/4 - 20 x 2-1/4" Bolts
- 4 - 1/4 - Flat Washers
- 8 - 1/4 - 20 Hex Nuts
- 4 - 1/4 - 20 x 1" Bolts
- 1 - Padlock



Tools Needed for Assembly

- * - Rubber mallet
- * - Adjustable wrench
- * - Cordless Drill
- * - 5/16" Drill Bit
- * - Phillips Screwdriver or screwdriver bits
- * - Pliers
- * - Liquid soap or lubricant

Use a little liquid soap to help with ladder assembly.



IMPORTANT: LADDER ADAPTER KIT

LAK kit fits Confer A-frame ladders for use with non-traditional metal framed swimming pools with a wall height of 48" - 54".
Use with models: 7100b, 7100x, 7000b, 7200 and 7000x.
Not for use with inflatable pools.

Safe Installation

⚠ WARNING

To reduce the risk of electrocution, drowning, entrapment, falls, or other serious injury or death:

Check building codes/permitting. Consult your local Building Department before installation of your pool and equipment. Pool/equipment installation must comply with the codes of the authority having jurisdiction and may require permits (e.g., building, plumbing, electrical, zoning, etc.).

Use for intended purpose only

- Use only as a swimming pool ladder.
- This ladder is designed and manufactured for a specific pool wall height and/or deck of the pool - check product specification and the height of your pool.

Check that you have all required parts. Check the contents of the carton with the Parts List for this ladder. All parts and hardware are required. If any parts are missing, **DO NOT attempt to assemble or install the ladder.** Instead, call Toll Free U.S. - 800-635-3213 or visit our web site at www.conferplastics.com for assistance.

Select an appropriate location - The ladder must be located on a level, solid base and in a location that will be in full view of competent adult supervision when in use.

Follow all instructions

- For stable, correct assembly and installation, all instructions must be followed completely and in the sequence shown.
- Follow the manufacturer's recommendations for the safe use of all hand tools and equipment used during installation.

Cordless drill only - no corded drills near pool. Use a cordless drill for assembly and installation. To reduce the risk of electrocution, NEVER use a corded drill in or around a pool.

Lift safely. When lifting awkward or heavy loads, have another person help you.

Double check after installation

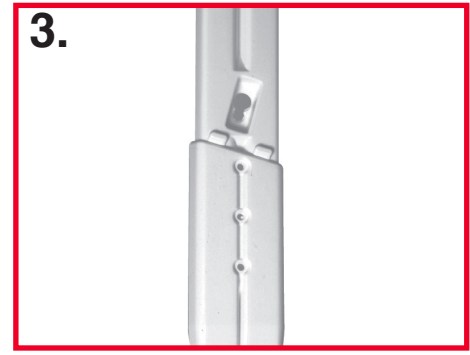
- Before using the product, after assembly and installation, go over the instructions and procedures again to make sure nothing has been overlooked.
- Make sure that safety labels are installed and legible.



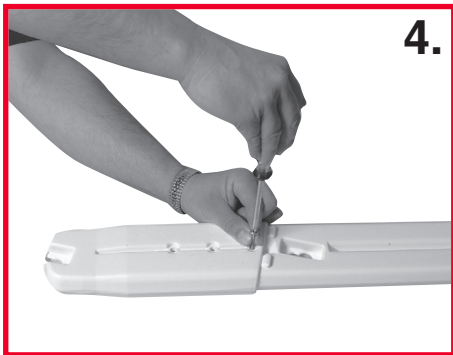
1. Place (2) two ladder legs on a flat surface. Using a Phillips screwdriver tap out the plastic film from the three holes on the bottom of each leg.



2. **Extension boots are not required if the outside height of your pool (measured from the ground to the top of the pool ledge) is 48" or less. If this measurement is more than 48" extension boots will be required.** Using a Phillips screwdriver tap out the plastic film from the top hole on each side of the extension boots.



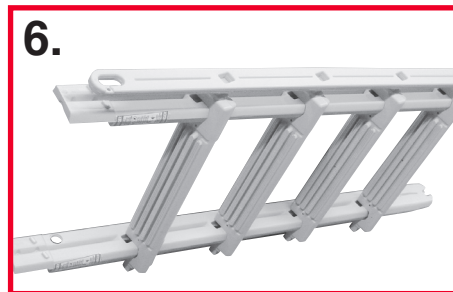
3. Slip the (2) two extension boots over the ends of the ladder legs. They will need to be all the way on if the outside dimension is 52" and backed off one hole if the outside dimension is 54".



4. Using two 1/4-20 x 2" long bolts and two acorn nuts fasten the extension boots to the ladder legs



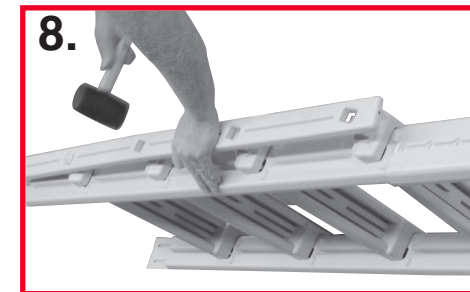
5. Slide (4) four of the swing up treads over the ladder legs as shown.



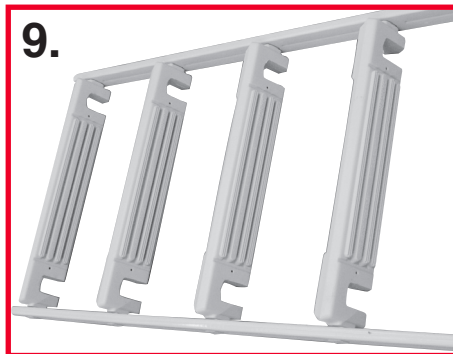
6. Stand the assembly up on edge and place the tread connector over the square ends on the (4) four treads. The large oval hole on the tread connector must be on the same end as the flat side on the ladder legs.



7. Using a rubber mallet tap the tread connector onto the square ends of the treads until they are firmly seated. A little liquid soap on the tread end will help.



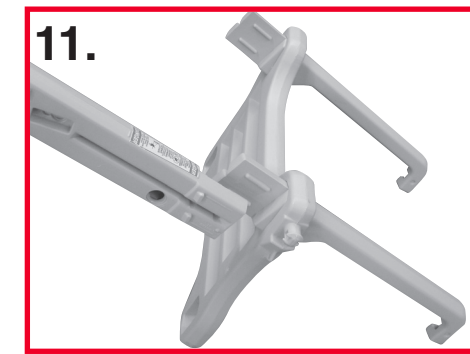
8. Flip assembly over and repeat step 7 to attach the second tread connector.



9. Separate the swing up assembly from the ladder legs and set aside.



10. Slide (2) two handrails up through the bottom of the platform using the openings next to the round tabs. Leave the flat ends of the handrails exposed.



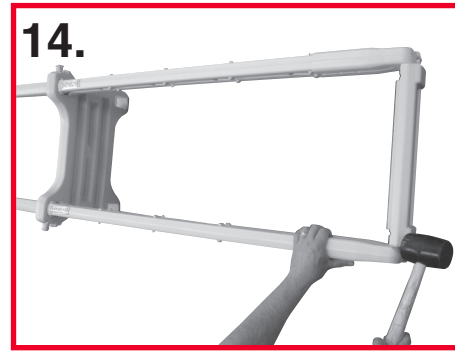
11. Overlap the flat end of the ladder leg onto the flat end of the handrail. Insert one of the 1/4 - 20 x 1" bolt through the ladder leg into the handrail. Place one of the 1/4 - 20 hex nuts into the recessed area on the handrail and tighten using a Phillips screwdriver. Install the second nut and bolt.



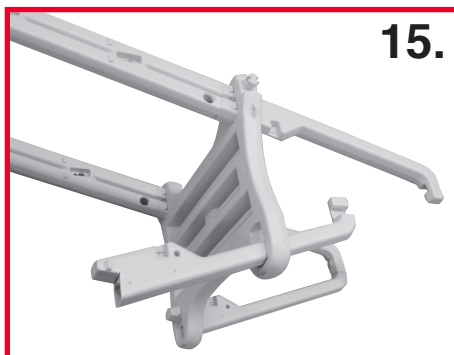
12. Attach the second ladder leg to the handrail by repeating step #11.



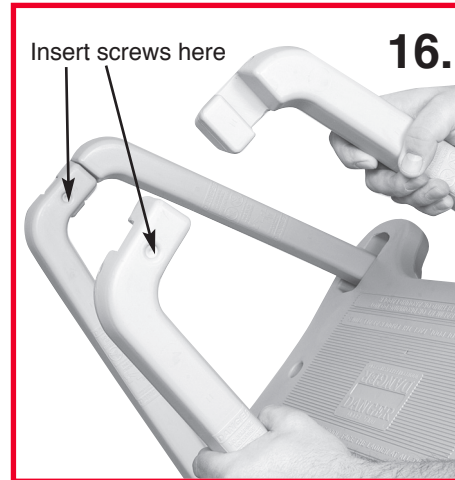
13. Stand the ladder up, using a rubber mallet tap the platform down until seated on the lugs on the ladder leg. **IT WILL REQUIRE SEVERAL HARD BLOWS WITH A RUBBER Mallet TO SEAT THE PLATFORM ALL THE WAY DOWN ONTO LUGS.**



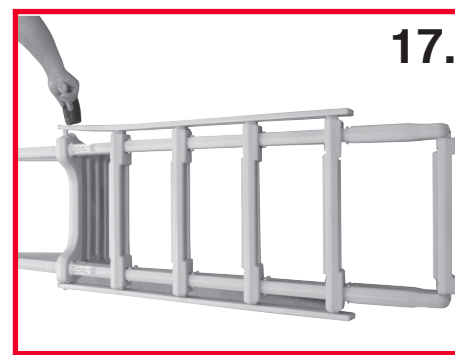
14. Attach the standard tread to the bottom of the ladder as shown.



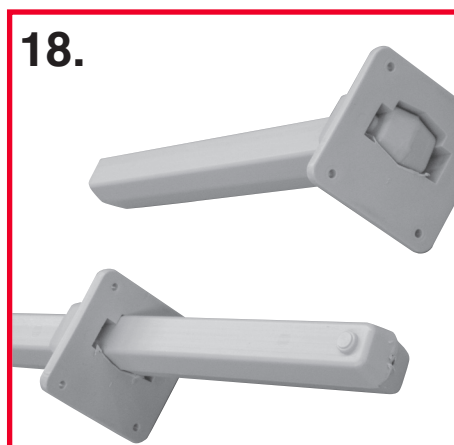
15. Slide the (2) two adjustable tube handrails up through the bottom of platform until seated on the lugs.



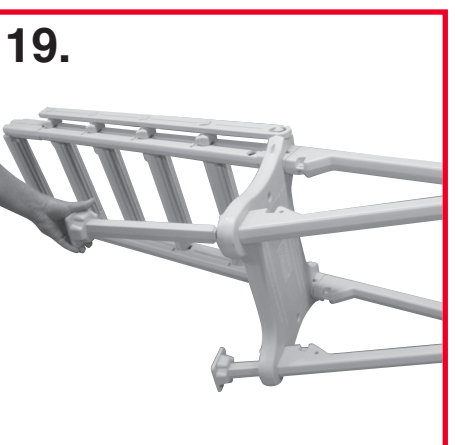
16. Insert screws here. Using a #10 x 1-1/4" screw fasten the upper ends of the handrails together as shown. Repeat for opposite side.



17. Flex the oval openings on the swing up assembly (from step #9) over the two round tabs on the platform. Using a rubber mallet tap down on the tread connector until seated over the round tab. **It may require several hard hits with a rubber mallet to get tread connector over round tabs.**



18. Coat the adjustable tubes with a small amount of liquid soap and slide the tube up through the mounting block as shown.



19. Slide the assembled tube/block assembly up into the open end of the adjustable tube handrail as shown. Ladder is now ready to attach to Confer Plastics In-Pool Step.

If your Confer pool step is not in the pool follow the step instructions and place in pool. Choose a location for your Confer pool ladder/step combination that is in full view at all times. Always have adult supervision when pool is in use.

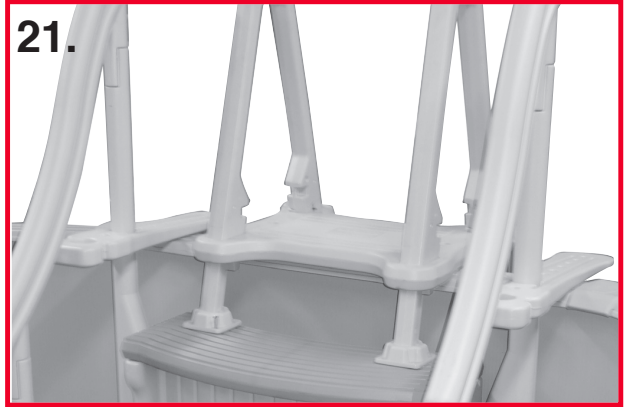
20.



With the step in location place your 8100x ladder over the pool wall. Depending on the outside height of swimming pool ledge extension boots can be removed or slid up or down until the ladder platform is resting on top of the swimming pool top ledge. If necessary remove or add soil to raise or lower ladder. **The 8100X ladder platform must rest on top of the swimming pool ledge for support.**

WARNING! Verify that your chosen location is level, has a solid base, and will be in full view of competent adult supervision when in use.

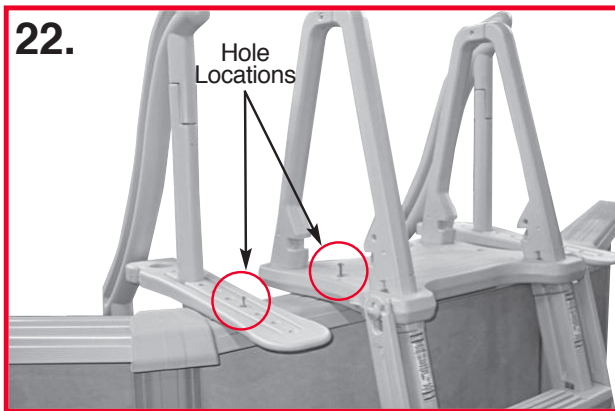
21.



With the ladder in place and platform resting on pool ledge extend the adjustable tubes down until the mounting blocks are resting on the top tread of pool step. Next move the ladder in or out to position the platform mounting holes to the outside [away from pool wall] top of pool ledge.

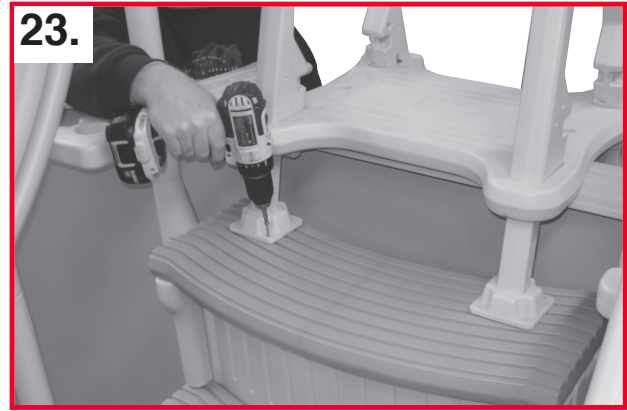
Step 22 WARNING! For Maximum stability, the ladder must be fastened to the top of the pool.

22.



Pool ladder must be attached to swimming pool ledge. Mark the two positions on to the top ledge. Move the ladder away, check to make sure the hole locations are clear of pool wall and supports and drill two 5/16 holes through the top ledge. Fasten the ladder platform to the top ledge using two 1/4-20 x 2-1/4" bolts, flat washers and 1/4-20 hex nuts. Repeat to attach the two step deck connectors.

23.



Using a cordless drill/driver attach the two mounting blocks to the pool step using eight [8] #10 x 1-1/4" screws. Secure the adjustable tubes to the adjustable tube handrail at the pre-marked locations using two [2] #10 x 1-1/4" screws in each handrail.

WARNING! Using a corded drill near pool may result in electrocution.

Swing Up Instructions



To close ladder: move "Swing up" portion of ladder shown in "up" position as shown and secure with included padlock.



To use ladder: unlock the padlock and move it to the "holding" area. Move "Swing" portion of the ladder to the "down" position as shown.

WARNING! when pool is NOT IN USE, keep the outer treads in the up position and locked with the padlock.

Safe Use

⚠ WARNING

To reduce the risk of drowning, entrapment, falls, paralysis, or other serious injury or death:

Use ladder properly.

- **No diving or jumping from ladder** - shallow water; risk of paralysis or death.
- FOR ENTRY/EXIT OF POOL, FACE THE LADDER AT ALL TIMES.
- ONE PERSON ON THE LADDER/STAIR AT A TIME.
- To reduce the risk of entrapment or drowning, DO NOT swim through, behind or around ladder.
- Illuminate the ladder when using the pool at night.

Weight limit - 300 lbs maximum. Exceeding maximum weight may cause the ladder to fail.

Secure ladder when not in use. When pool is NOT IN USE, keep outer treads in the up position and locked with the padlock. (See "Swing Up Instructions", page 5.)

Watch children at all times when they are in or around water to help prevent drowning.

BE SURE AND SAFE. The manufacturer **IS NOT** responsible for improper assembly Installation and use.

Always swing up outside treads and lock when pool is not in use.

MAINTENANCE: Check the padlock for proper operation and lubricate if necessary.

WINTERIZING: Unfasten the ladder from pool top seat and pool step and remove. To reinstall, see Step #20.

CONFER PLASTICS INC. FIVE YEAR WARRANTY

Confer Plastics Inc. warrants their swimming pool ladders and spa products to be free from defects in workmanship for five years from date of purchase.

DO NOT RETURN DEFECTIVE PART TO DEALER

E-MAIL CONFER PLASTICS AT: CUSTOMERSERVICE@CONFERPLASTICS.COM
A PICTURE [S] OF DEFECTIVE PART, A BRIEF DESCRIPTION OF PROBLEM,
PROOF OF PURCHASE AND YOUR CONTACT INFORMATION.

INFORMATION MAY ALSO BE FAXED TO CONFER PLASTICS AT: **716-694-3102**
OR MAILED TO THE ADDRESS BELOW. UPON REVIEW OF THE INFORMATION YOU
WILL BE NOTIFIED IF PART IS COVERED UNDER THE WARRANTY AND
THE SHIPPING/HANDLING CHARGES.

This warranty gives you specific legal rights, and you may also have other rights which may vary from state to state.

Confer Plastics Inc., 97 Witmer Road, North Tonawanda, N.Y. 14120-2421

MADE IN THE USA



CONFER
plastics inc.

Printed in USA

97 Witmer Road
North Tonawanda, New York 14120-2421
Toll Free U.S. 800-635-3213
FAX 716-694-3102
www.conferplastics.com

REV. 09/23